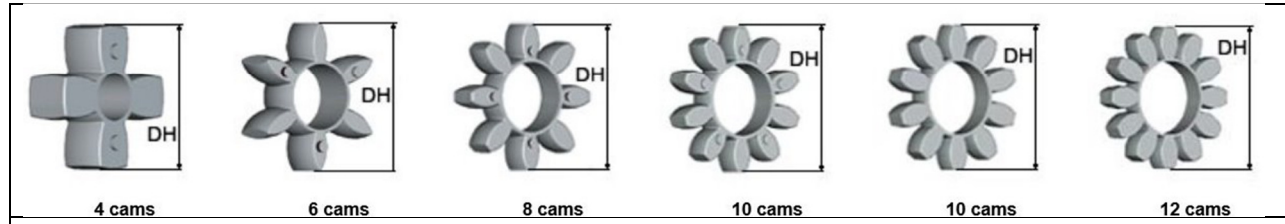


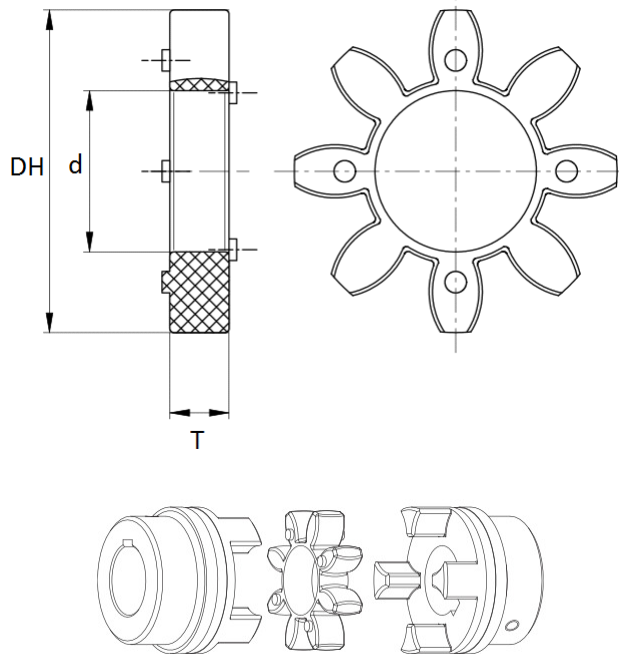


## ĐỆM COUPLING CJ SERIES



Chi tiết kích thước:

Đơn vị: mm



Size	DH	d	T	Số cams
14	30	10	10	4
19	40	18	12	6
24	55	27	14	8
28	65	30	15	8
38	80	38	18	8
42	95	46	20	8
48	105	51	21	8
55	120	60	22	8
65	135	68	26	8
75	160	80	30	10
90	200	100	34	10
100	225	113	36	10
110	255	127	42	10
125	290	147	46	10
140	320	165	50	10
160	370	190	57	10
180	420	220	64	12

\*Vật liệu: PU, độ cứng 64, 92, 95, 98 shore A



- 92 Shore A standard spider
- suitable for all hub materials
- for general drive applications
- good dampening characteristics
- temperature range from - 40 °F to + 194 °F
- available sizes 14 to 90



- 95/98 Shore A spider
- optimum with hub materials; EN-GJL-250 (GG 25), steel or EN-GJS-400-15 (GG 40)
- transmits higher torques while dampening vibration
- temperature range from - 22 °F to + 194 °F
- available sizes 14 to 90



- 64 Shore D-F
- optimum with hub materials; steel or EN-GJS-400-15 (GG 40)
- transmits double the torque of 92 Shore A spiders
- low twisting angle
- spider suitable for demanding applications
- resistant to hydrolysis
- temperature range from - 22 °F to + 230 °F
- available sizes 14 to 100